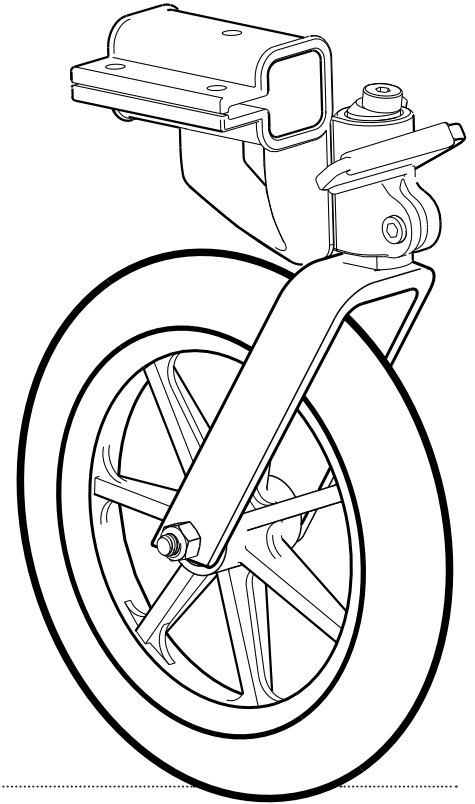
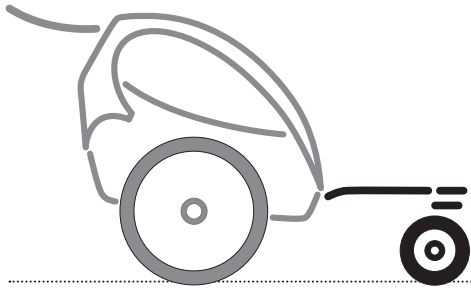


BURLEY®

**Burley Stroller Kit Owner's Instruction  
and Safety Manual**

For d'Lite™, Solo™, Encore™, Cub™,  
Tiger, Lady Bug™ and Rover

# stroller kit



## Congratulations!

By purchasing the Burley Stroller Kit, you've increased the fun and excitement that you and your family can have with your Burley trailer.

Please go to [www.burley.com](http://www.burley.com) or contact us at (541) 687-1644 or [burley@burley.com](mailto:burley@burley.com) to register your warranty information.

**IMPORTANT:** IT IS VERY IMPORTANT FOR YOU TO FAMILIARIZE YOURSELF WITH YOUR STROLLER ATTACHMENT BY READING THIS MANUAL BEFORE USE. IF YOU HAVE ANY QUESTIONS, PLEASE CONTACT US.

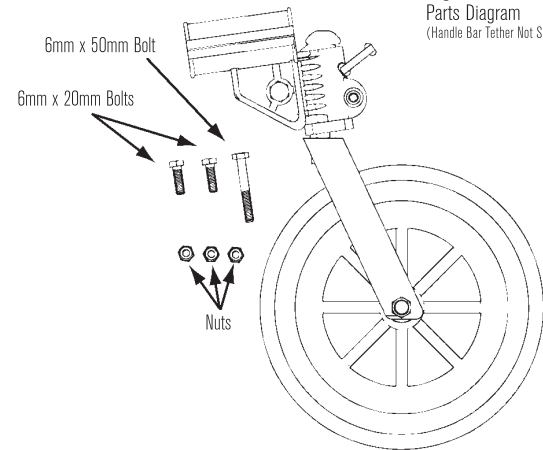


**WARNING!** FAILURE TO OBSERVE ALL OF THE SAFETY GUIDELINES IN THIS MANUAL AND YOUR BURLEY TRAILER MANUAL COULD RESULT IN AN ACCIDENT AND SERIOUS INJURY OR DEATH.



## Safety Guidelines

1. Consult your child trailer manual for trailer safety guidelines.
2. Always use the handle bar tether.
3. When placing children or cargo into the trailer, keep the load centered and in front of the axle.
4. Always set the parking brake before releasing the handle. Make sure the parking brake is properly adjusted and working before use, especially after changing the tires or removing the wheels.
5. This product was designed for use on surfaces that are meant for walking. Do not use it on stairs, escalators or other uneven surfaces. Never use it with inline or roller skates.
6. Never leave your children unattended.



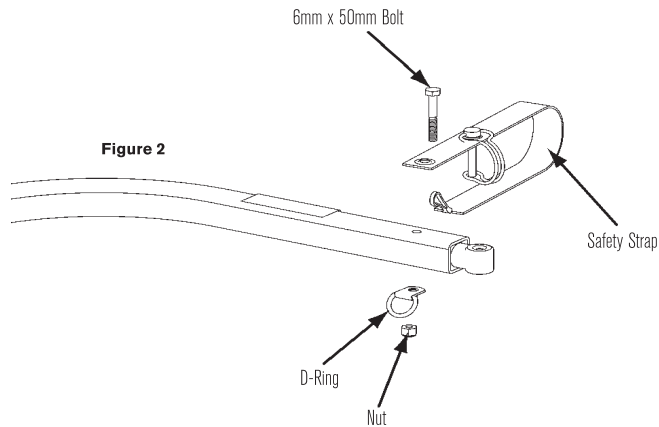
**Figure 1**  
Parts Diagram  
(Handle Bar Tether Not Shown)

## Tools Required:

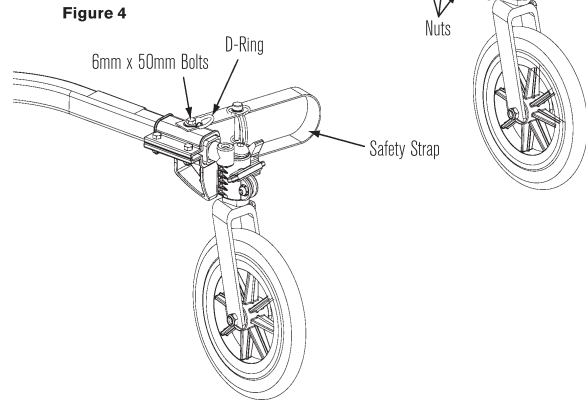
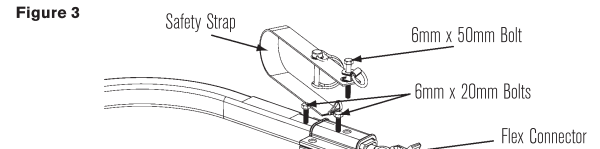
- (2) 10mm open end wrenches
- (1) 25mm (or 1") wrench
- (1) 5mm hex wrench

## Installation

1. Remove tow bar from trailer.
2. Remove nut and bolt from tow bar end. Discard bolt and lock nut. Safety strap and D-Ring will be re-installed. **Figure 2**



3. Slide stroller kit onto tow bar. **Figure 3**



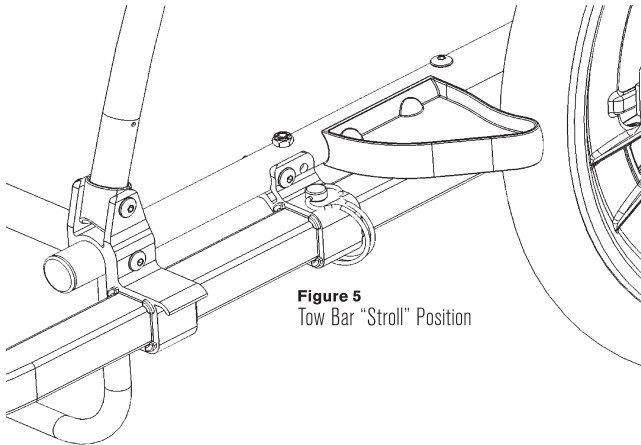
4. Place D-ring and safety strap on supplied 6mm x 50mm bolt. Line up holes in stroller kit, tow bar and flex connector and install bolt. Secure with nut. Install two shorter bolts through pivot assembly side and secure with nuts. **Figure 4**

5. Around handlebar center, slide tether strap end through small loop on other end of strap and tighten securely. **Photo 1**



**Photo 1**

6. Slide tow bar into trailer receptacles and line up **front** tow bar hole with rear receptacle hole. Insert retaining pin through both holes and lock retaining hoop securely. **Figure 5**
7. Test tracking adjustment by pushing trailer. Trailer should roll straight.

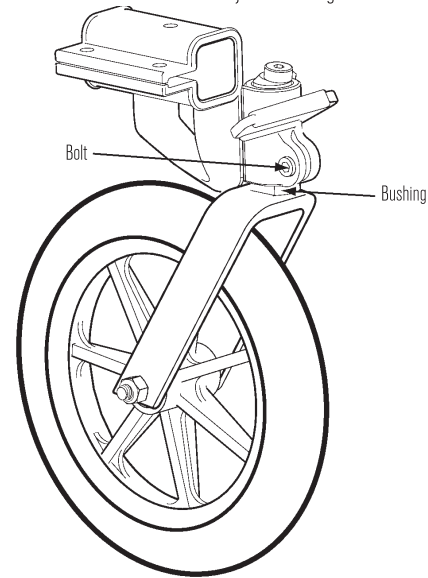


**Figure 5**  
Tow Bar "Stroll" Position

## To Adjust Tracking

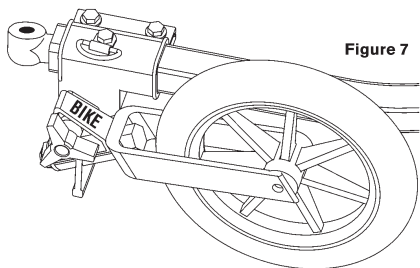
1. Tighten knob to secure stroller wheel in "Stroll" position.  
**See Figure 6**
2. Loosen bolt using 5mm hex wrench. **Figure 6**
3. Turn bushing using 25 mm (or 1") wrench so that stroller wheel is vertical when viewed from front.
4. Fine tune as necessary, so that trailer rolls straight.
5. Tighten bolt.

**Figure 6**  
Adjust Tracking



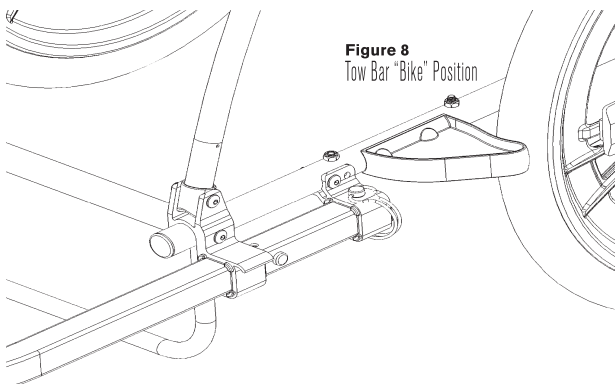
## To Convert from Strolling to Trailing

1. Engage parking brake and tighten knob to secure stroller wheel in "Bike" position. **Figure 7**



**Figure 7**

2. Line up **rear** tow bar hole with rear receptacle hole. Insert retaining pin through both holes and lock retaining hoop securely. **Figure 8**
3. Re-install the tow bar and hitch on the bike.



**Figure 8**  
Tow Bar "Bike" Position

### WARNING!



WHEN CONVERTING THIS ATTACHMENT FOR TRAILERING, MAKE SURE THAT STROLLER WHEEL IS IN PROPER POSITION BEFORE ATTACHING TRAILER TO YOUR BICYCLE. DO NOT USE THIS PRODUCT WITHOUT RETAINING PIN AND SAFETY STRAP PROPERLY INSTALLED. FAILURE TO FOLLOW THE INSTRUCTIONS IN THIS MANUAL AND YOUR TRAILER MANUAL CAN CAUSE AN ACCIDENT RESULTING IN SERIOUS INJURY.

## Maintenance

- Lubricate stroller wheel assembly twice a year for normal use, or monthly if used in wet or salty conditions.
- Inspect handle, receivers, parking brake, and wheel monthly.
- Contact Burley to replace any damaged parts.

## Burley Accessory Limited Warranty

Burley accessories are warranted from date of purchase against defects in materials and workmanship under normal use and service. Burley will repair or replace parts it determines to be defective for a period of three years. The Burley accessory owner must present the accessory for repair at place of purchase, with an original sales receipt or similar proof of purchase. This warranty applies only to the original owner and is nontransferable. Burley can not be responsible for failure due to improper assembly, modification of parts or instructions, neglect, abuse, accident, and/or normal wear. The warranty does not cover any accessory used for rental, competition, or commercial use. Burley neither assumes nor authorizes any person to assume any other liability in connection with this Burley product, and there are no oral agreements or warranties collateral to or affecting this agreement. This warranty gives you specific legal rights. You may also have other rights which vary by state or country.

**BURLEY**

**BURLEY DESIGN, LLC**

4020 Stewart Rd. Eugene, OR 97402

PH 541.687.1644 800.423.8445 FAX 541.687.0436

[burley@burley.com](mailto:burley@burley.com) • [www.burley.com](http://www.burley.com)

Copyright © 2007 by Burley Design LLC

Burley is a registered trademark of Burley Design LLC

Rev 08/07. 170053 manual stroller kit 08 r0