

the **Burley Lite** **Trailer**

Congratulations, you've just purchased a Burley Lite, the leading design in bicycle trailers. Every effort has been made to ensure your purchase is of top quality and proven design, ready to provide you with many years and thousands of miles of happy, safe trailering.

To get the best use and safety from your Burley Lite please read this Owner's Instruction and Safety Manual all the way through before assembly and use. If you have any questions we encourage to contact your Burley dealer.

PREPARATION FOR TRAILER ASSEMBLY

To assemble your Burley Lite properly you will need the following tools:

- 7/16" box end wrench or socket & ratchet
- no. 2 phillips head screwdriver
- adjustable (crescent) wrench
- 9/16" box end wrench or socket & ratchet.

Lay out and identify the parts using the drawings and the parts list on pages 13-15. Use a large, clean, flat surface such as a 24" x 30" or larger table top.

Read the instructions first to familiarize yourself with them. Then start with Step 1 and work sequentially through Step 8. Some of the parts have a tight fit. They will require extra effort during assembly, but in the long run will provide you with a strong, durable trailer. Allow at least 60 minutes for assembly for your first Burley Lite. With practice it is possible to assemble one in 20-30 minutes.

CAUTION: Watch for metal slivers or burrs around each hole. We deburr the holes but slivers are still possible.

Good luck, and have fun assembling your Burley Lite Trailer.

ASSEMBLY INSTRUCTIONS

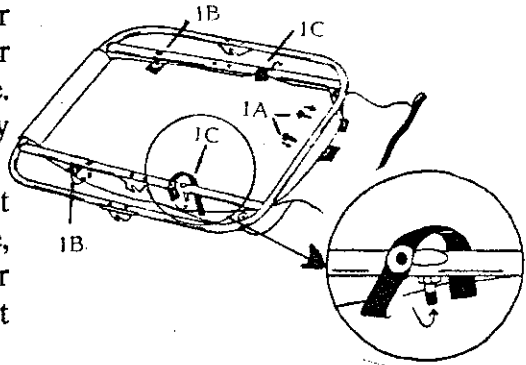
STEP 1. RIGGING THE BOTTOM BAG

With the trailer frame right side up (wheel dropouts down), unroll the bottom bag and slip it under and around the bag holder (the U-shaped 3/4" tube).

(1A) From the inside insert (2) 2 1/4" bolts through the center holes in the front frame and through the matching grommets in the bag. Stretch bottom bag in place to fit, making sure the D-ring strap at the bottom bag center is pulled over the top of the frame (for later use with child seat). Do not put the lock nuts on the bolts yet.

(1B) Pull the rear grommets over the rear grommet studs on each side. Do not put wing nuts on any of the bolts at this time.

(1C) Pull the front grommet strap from inside, over the top of the inner frame. Stretch grommet over the grommet stud.

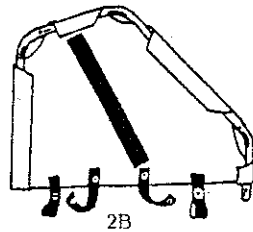
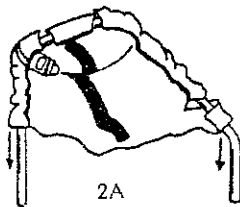


Burley Tip: Wetting tight fabric will make it easier to stretch, especially in dry or hot climates. If you have trouble pulling grommets onto studs put a strip of cloth through the grommet and use it to pull with.

STEP 2. ATTACHING THE SIDE PANELS

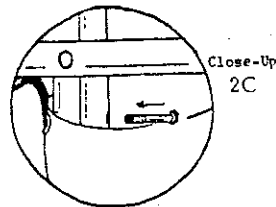
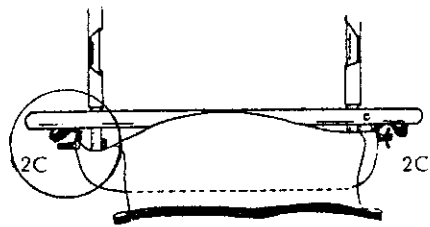
(2A) Using a clean rag or the tissue which the panels are wrapped in, wipe the side rails clean. Slip the casings of the yellow fabric side panels over the side rails. You will need to bunch the side panels up in order to get around the bends (see illustration).

Burley Tip: To save time apply a thin coat of silicone or spray furniture polish to side rails and wipe off excess before slipping casings on.



(2B) Place the side rail so the fabric with the black webbing is facing the inside of the trailer. Put the back end of each rail down over the side rail studs found on the rear of the inner frames.

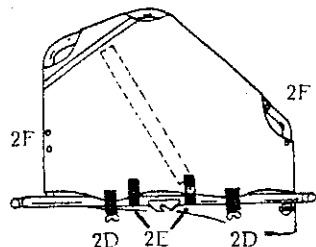
(2C) Pull the front of each side rail down to the *inside* of the inner frame. Align with the bolt hole in the bag holder (yes, you may gently force the side rail to line up the holes), and insert a 2 1/4" bolt, from the *inside* to the outside, through the side rail, the bag holder, and grommet in the bottom bag. Attach wing nut onto bolt and tighten securely.



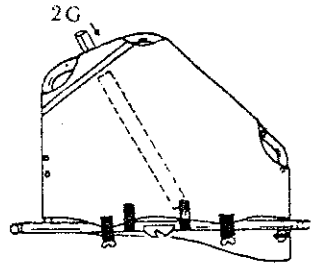
(2D) Turn the trailer on its side. Grasp each of the two grommet straps at the bottom of each side panel, and stretch it over the outside of the inner frame, around the bottom and over the grommet studs which are also securing the bottom bag. Do this to both sides and securely install the wing nuts on the four studs.

(2E) Slip the snap straps (4 total) between the bottom bag and the inner frame, and pull them around the bottom to the outside. Snap the straps to the snap studs on the outside of the side panel.

(2F) Notice the four pairs of 1/8" holes in each side rail. You can see the rear two pairs through the fabric casing. Ignore the holes facing the inside of the trailer--they are there so the rails can be used on either side.



With a #2 phillips screwdriver screw the rear two snap studs (with brass colored screws) through the fabric and into the 1/8" holes, as straight as possible. The top and bottom front snap stud holes may require that you screw the snap stud through the fabric, depending on their fit on the side rail.



The top pair of front and rear snap studs are to snap the bottom bag in place. The bottom pairs are for optional Rain or Suncovers.

(2G) Insert the wooden battens into the black web-casing on the inside of side panels. Check again that all 6 wing nuts are secure.

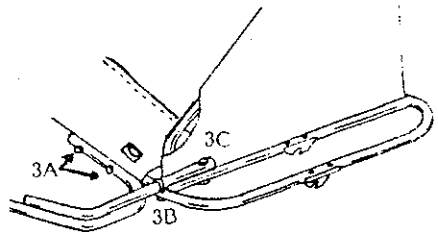
STEP 3. INSTALLING TONGUE AND HITCH ASSEMBLY

(3A) Align the holes in the tongue with the (2) 2 1/4" bolts protruding from the center holes in the front frame. Push the 2 1/4" bolts all the way through the tongue holes.

(3B) Install the U-bolt over the tongue brace and through the corresponding holes in the front frame

Burley Tip: If the holes do not line up readily, you can, with a little maneuvering, line them up. Holding the front main frame with your right hand, press the tongue assembly toward the left side of the trailer and use your left hand to align the tongue hole with bolts.

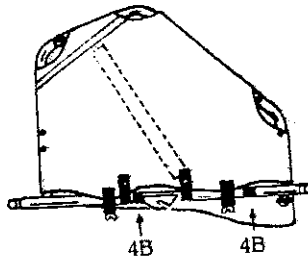
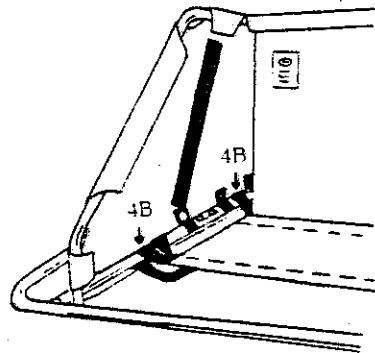
(3C) Align the hole in the end of the tongue brace with the hole in the left side inner frame, and insert a 2 1/4" bolt down through the tongue brace and inner frame. Start a lock nut on each of the bolts and tighten them.



Burley Tip: Assembly will be easier if you wait until the end to tighten all 5 lock nuts after positioning bolts.

STEP 4. ATTACHING THE ROLL BAR AND CHILD SEAT

(4A) Remove knobs from the roll bar and slip the roll bar through the casing in the child seat. With the Burley Checklist fabric tag facing forward, spread the side rails as required and install the roll bar between them. Slide the threaded rod back and forth as necessary so that it protrudes from the holes in the side rail. Secure roll bar with the two plastic 3-prong knobs.



(4B) Poke the four straps that are attached to the bottom of the child seat down between the side panel and the inner frame, and stick the end of the strap back up between the inner frame and the bottom bag. The front straps should pass around the inner frame to the front of all other straps; the back straps should pass around the inner frame between the rear snap and grommet straps. Attach them to the buckles under the seat, and tighten all four buckles securely.

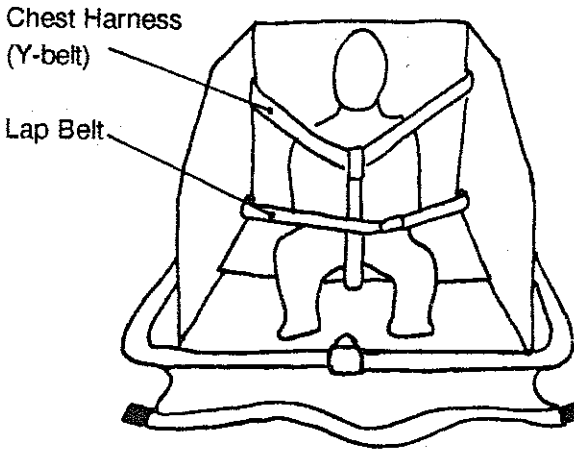
(4C) To install chest harness (Y-belt), attach each of the long belt ends to one of the two black plastic buckles sewn on to the upper rear inside of each side panel. To function properly and safely the belt must cross the child's outer shoulder. **CAUTION:** Make sure the belt does not cross anywhere near the child's neck. Generally, you will attach these shoulder belts to the upper side panel buckle. However, with a small child you may need to use the lower buckle to ensure proper fit.

Do not attach shoulder belt by going up and over roll bar. Attach by going under the roll bar, between the seat and side panel.

From this point continue harness installation by referring to Section 4D or 4E (for 1 or 2 children).

(4D) HARNESS FOR 1 CHILD

(4D) (1) With all belts out of the way, place your child in the center of the seat. Connect the chest harness (Y-belt) to the female buckle which comes out from under the front center section of the seat. Adjust the position of the "Y", where the three belts meet, to fit your child. Use the two buckles on the side panel to adjust and use the center black plastic buckle to tighten the harness.



4D. Use buckles on side panel to adjust height of Y-belt to cross child's shoulders, away from neck. Upper buckle at rear side panel is for most kids; lower buckle for very small child.

Lower part of Y-belt serves as crotch strap for 1 child.

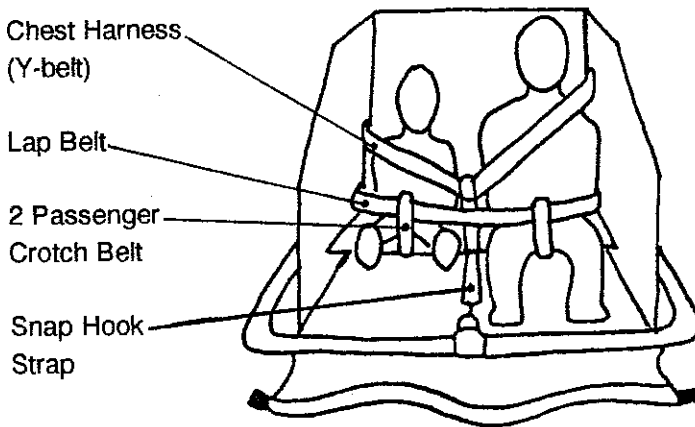
(4D) (2) Connect the buckles on the lap belt (extending from the base of the seat). By installing the chest harness first, the lap belt helps hold the chest harness in position. Tighten the lap belt so that the child is held firmly in place.

NOTE: You'll be using only one of the four belts that come from under the seat, namely the bottom of the chest harness (Y-belt). Disregard the other three belts, which are used with the harness for 2 children

(4E) HARNESS FOR 2 CHILDREN

(4E) (1) With all belts out of the way, place your children in the seat. Connect center snap hook strap to the plastic D-ring at the front, center main frame. This strap puts tension in the center of the seat, and serves as a divider for the two kids.

(4E) (2) Connect the chest harness (Y-belt) to the female buckle which comes out from under the front center section of the seat. Adjust the position of the "Y", where the three belts meet, to fit each child. Use the two buckles on the side panel to adjust and use the center black plastic buckle to tighten the harness. NOTE: for two children the chest harness will cross the outer shoulder of each child. They will sit on either side of the lower part of the chest harness (Y-belt).



4E. Use buckles on side panel to adjust height of Y-belt to cross child's shoulders, away from neck. Upper buckle at rear side panel is for most kids; lower buckle for very small child.

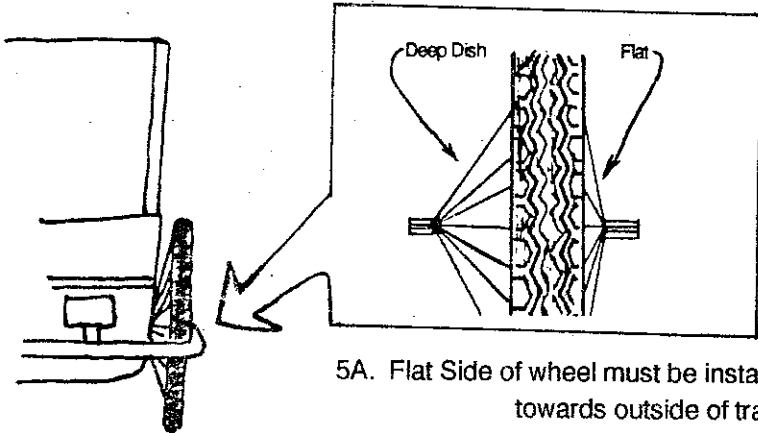
(4E) (3) Insert the lap belt through the loops of the 2-passenger crotch belts (which come out from under the seat, off-center).

(4E) (4) Connect the buckles on the lap belt (extending from the base of the seat). By installing the chest harness first, the lap belt helps hold the chest harness in position. Tighten the lap belt so that the children are firmly held in place. Note that the lap belt works the same for either one or two children.

(4E) (5) Adjust the 2-passenger crotch belts using the slider. They should be tight enough so the children will not slump forward should they fall asleep.

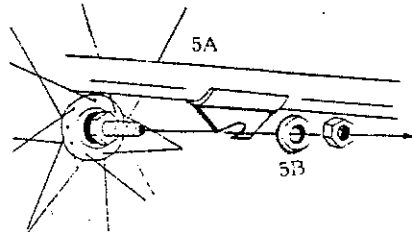
STEP 5. ATTACHING THE WHEELS

(5A) To attach the wheels, tip your trailer frame on its back end. Put the wheels in place between the dropouts, making certain that the axles go all the way into the slots. **IMPORTANT:** The wheels are dished off center and must be installed so the tires are offset away from the side panels, close to the outer frame for a wider track. Bolts sticking out from the inner frame at the rear will interfere with improper installation of the wheel.



5A. Flat Side of wheel must be installed towards outside of trailer

(5B) Standard (Nuttet) Wheels. Put a serrated washer under each of the four axle nuts. The serrated side faces towards the dropout. Make sure the axles stay all the way in the slots while you tighten the nuts securely.



(5C) Quick-Release Wheels. If you have ordered the optional quick-release wheels, please refer to the enclosed Supplement for Quick Release Wheels Option for installation of skewers and wheels.

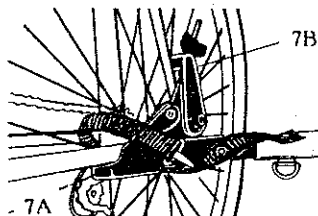
(5D) We recommend that you only use the wheels that we supply with the Burley Lite. (Other wheels with a hub of the wrong width may distort the frame.) For maximum safety and stability use 20 x 1.75 wheels, with tire pressure rated at 35-50PSI. Do not use any other size wheels nor high-pressure tires for trailers used to pull children. For trailers with standard, nutted wheels (not quick-release), always use a serrated washer under each axle nut.

STEP 6. ATTACHING REFLECTORS

Fasten each reflector with a hex screw to the reflector bracket on the main frame at the rear. Use a wrench, as there isn't clearance for a screwdriver.

STEP 7. HITCHING THE BURLEY LITE TO YOUR BICYCLE

The hitch on your trailer was designed to quickly and safely attach to all types of bicycles. It is inserted in front of the left rear dropout of your bicycle. Loosen the knob on the eyebolt until the two arms are spread fully apart.



Slip the lower hitch arm under the chain stay (A) and the upper arm above the seat stay (B). See illustration on previous page. Wedge the hitch cone firmly all the way back into the angle formed by the stays at the wheel. Tighten the knobs until the arms are firmly clamped against the stays. Check again that the cone is wedged securely into the stays. Do not overtighten the knob. Wrap the safety strap around the inside of the chain stay, over the hitch body, and back to the D-ring at the end of the tongue. Do not operate your Burley Lite without the safety strap properly installed.

The hitch should not move, but allow the bicycle complete movement, including laying down the bicycle. It should clear any racks, bags, or fittings you have on your bicycle. **IMPORTANT:** If the hitch does not seat properly or interferes with your bicycle or any attachments, do not use the trailer. Contact your bicycle dealer.

Your hitch is designed for low maintenance. Clean and grease the eyebolt threads periodically to ensure the knob can be properly tightened. As a critical safety item, we recommend that you inspect it periodically for damage, cracks, loose fasteners, etc. Because of ultraviolet degradation, we recommend you replace the hitch every 5 years under normal use. In sunny or smoggy locations, or for trailers that are stored outdoors, the hitch should be replaced every 2-3 years for safety. **IMPORTANT:** Remove the hitch from your bicycle when not in use to prevent deforming of the plastic.

STEP 8. THE LITTLE EXTRAS

At this time your trailer is nearly complete. Snap the red tail gate and splash guards to the upper snap studs on side rails if you haven't already done so. Insert the safety flag pole into the vertical casing of the left side panel.

The bungi cord included is handy for securing odd sized loads. When not in use carry it by hooking across the side rails in back.

If you have the optional Raincover or Sunscreen Cover, it is held in place by four snaps at the front and rear, and two grommets at the top. To install, remove the roll bar knobs, place the grommets over the threaded rod, and tighten the knobs. Snap the front and rear to the lower side rail snap studs. Note that the front of the cover is narrower than the rear.

To properly use the seat belts, it is essential that you refer to section 4D (Harness for 1 Child) or section 4E (Harness for 2 Children).

Remember: for one child the chest harness (Y-belt) crosses both shoulders of the child. For two children the chest harness will cross the outer shoulder of each child. They will sit on either side of the bottom of the Y-belt. The lap belt works the same for one or two children. The 2 Passenger Crotch Belt and the Snap Hook Strap are for use with two children, and can be tucked under the seat out of the way when carrying one child.

You're done! Please go back over these directions and recheck your work. **IMPORTANT:** Read and study the following safety guidelines before using your Burley Lite.

SAFETY GUIDELINES

Please THINK SAFETY FIRST:

Each time you use the trailer check that the hitch, frame, and fabric are in good condition.

Tightly secure the wheels to the trailer. Use only 20 x 1.75 wheels. Wheels should be properly adjusted and maintained.

Remember, for trailers with nudded wheels (not quick release) a serrated washer is provided with our hardware package to be placed between each axle nut and dropout. Check wheel fit and tire wear each time you use the trailer. Your bicycle shop can check and adjust these if you are in doubt. **IMPORTANT:** Dished wheels must be offset to the outside (tire close to outer frame, making a wider track).

Inflate tires to 35-40 psi, and check pressure before each use. Do not use high pressure tires, as the trailer will be bouncy, and prone to flip with light loads. We recommend tires with "street" treads. Do not use knobbys.

Clamp hitch securely to the bicycle frame, and check for tight attachment each time you use the trailer. The knob should be tight, the hooks at the ends of the arms snug against the stays, the cone wedged firmly between the stays, and the safety strap wrapped around the chain stay and hooked to the D-ring at tongue. Do not store the trailer attached to a bicycle.

When pulling your Burley Lite use a bicycle which is in good working condition, with good brakes. A frequent safety check of your bicycle is essential. Have your bicycle shop maintain and inspect your bicycle if you are not qualified to do so.

Do not overload. Maximum trailer load limit of cargo and/or children is 100 lbs. Keep the load as low in the trailer as possible. Center the weight over the wheels (front to rear, and left to right) with any extra weight towards the rear. Pack trailer so items will not shift around. **IMPORTANT:** Instruct children not to bounce, rock or lean; this could cause a shift of weight and possibly flip the trailer.

Please RIDE SAFELY:

When pulling a bicycle trailer your entire vehicle is heavier and less responsive. This means you should think further ahead in anticipating turns, stops and starts. We recommend you experiment with a loaded trailer in a safe place to learn how your heavier vehicle responds.

To avoid overturning your trailer do not pull it over curbs, or hit holes or other obstructions in the road. Do not make high speed turns or descents when pulling the trailer. Always corner with caution, as the trailer cannot lean into the corner the way a bicycle

can. Do not travel faster than 15 mph, as all road irregularities and your slowness to react are greatly magnified.

For safety it is essential that both bicyclist and passengers use approved bicycling helmets at all times.

Please KEEP YOUR CHILD SAFE:

The trailer seat is intended only for children old enough to be able to sit upright alone and wear a helmet. Your child must have enough strength to hold his or her head up while trailering. Ask your pediatrician if in doubt about your baby's neck muscles. Use a properly installed trailer child seat, seat belts, and child helmet at all times. Always fasten the seat belt so it holds the child securely, and periodically check placement of shoulder straps, especially for a sleeping child. Make sure the child's sitting height is within the roll bar. Check that a child cannot put a finger into the wheel spokes.

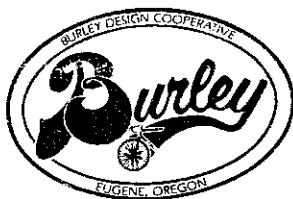
Never assume that you will be given the right-of-way even if it is legally yours. Your child is a precious load; his or her safety should not be entrusted to a car driver whose attention or regard for bike riders is unknown. Use care when pulling your trailer on bike routes or bike lanes. Do not pull your trailer on highways, busy streets, in traffic, or on streets which are unsafe for bicycling with children. Avoid riding at night; if you must, use a light and bright, reflective clothing.

ENJOY YOUR TRAILERING:

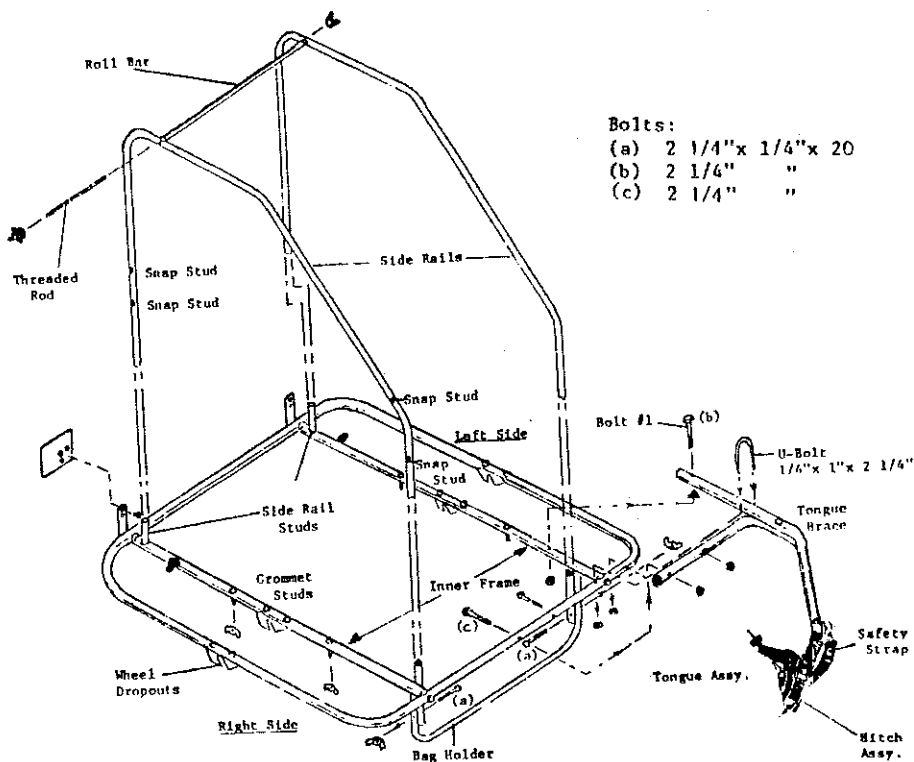
Besides being practical and useful, the Burley Lite allows people with children to get outdoors together and have fun. The fact that you get exercise is an added benefit. Trailering is a special treat for children: some kids will fall asleep with the gentle rocking, others will chatter, draw in their books or just enjoy the fresh air and views.

Whether you're going down to the corner store, across town on a picnic, or off for an extended vacation, enjoy your Burley Lite Trailer, and remember...

ALWAYS RIDE DEFENSIVELY.



the
Burley Lite
Trailer



PARTS LIST:

1) Preassembled Main Frame Assembly

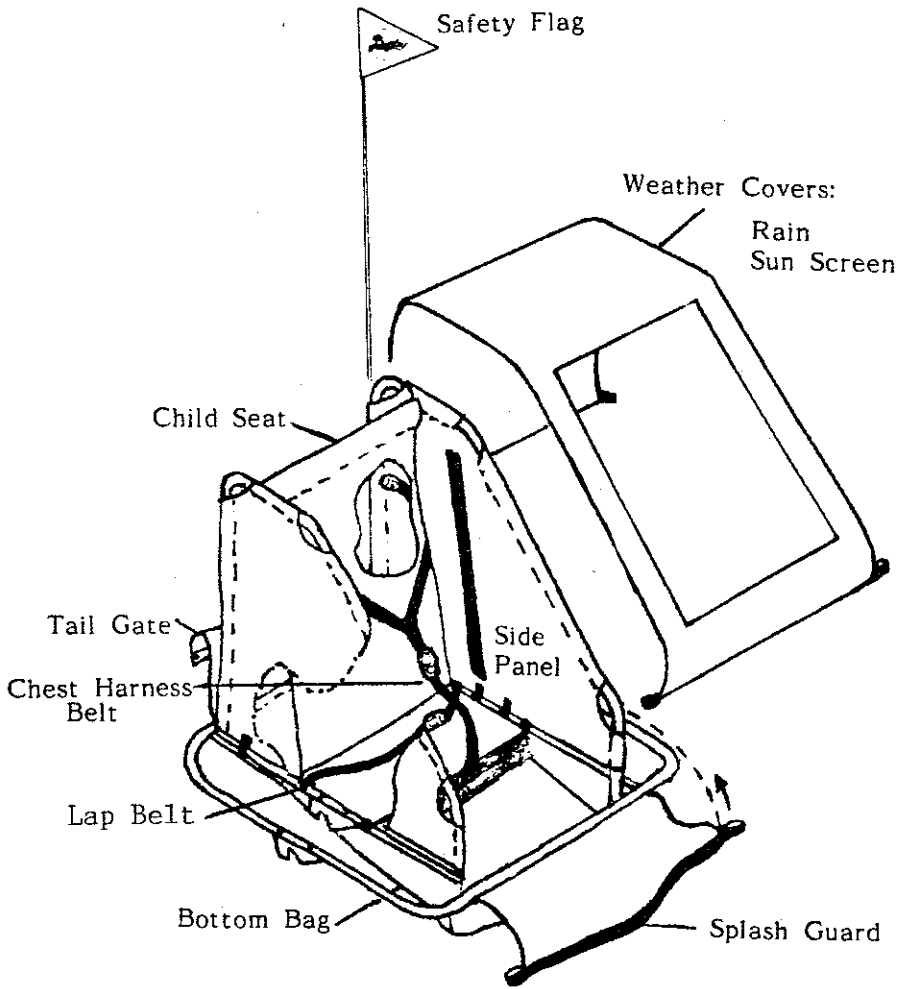
Replaceable Components:

- (1) Front Main Frame, 1" tube
- (1) Rear Main Frame, 1" tube
- (1) Left Inner Frame, 1" tube
- (1) Right Inner Frame, 1" tube
- (1) Front Bag Holder, 3/4" tube
- (4) Wheel Dropouts
- (1) Fabric Bottom Bag with Splash Guard & Tailgate

(1) Preassembled Tongue & Hitch Assembly

Replaceable Components:

- (1) Tongue, 1" tube
- (1) Tongue Brace, 1" tube
- (1) Hitch Assembly, Complete w/ Safety Strap
- (2) Side Rails, 3/4" tube (left and right same)
- (1) Roll Bar Assembly, 3/4" tube, 24" threaded rod, 2 knobs
- (1) Pair Fabric Side Panels (1 left, 1 right)
- (1) Fabric Child Seat with Chest and Lap Belts
- (2) Dished Wheels w/Maillard Labyrinth Seal Hubs
- (1) Flag Pole w/Safety Flag
- (1) Bungi Cord
- (1) Hardware Bag containing:
 - (2) Reflectors and (2) hex screws
 - (4) Axle Nut
 - (4) Serrated Washers for wheels
 - (1) 1" x 2 1/4" U-bolt
 - (5) 1/4" x 2 1/4" hex bolts
 - (7) Wing Nuts (1 extra)
 - (6) 1/4" Lock Nut (1 extra)
 - (9) Snap Stud (1 extra)



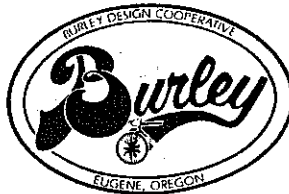
Optional:

- (1) Rain Cover with Vinyl Window
- (1) Sunscreen Cover with Screen Window
- (1) Car Top Carrier Strap Set
- (1) Window-Pocket Option (included in Side Panels)
- (2) Alloy Rim Quick-Release Wheel
- (1) Tourist Conversion Kit

BURLEY TRAILER LIMITED WARRANTY

Burley will repair or replace any original equipment parts it determines to be defective for the life of the trailer. The owner of a Burley trailer must present the trailer for repair, at an authorized Burley dealer, together with an original sales receipt or similar proof of purchase. This warranty applies only to the original owner and is non-transferable. Burley cannot be responsible for failure due to improper assembly, modification of parts or instructions, neglect, abuse, accident, and/or normal wear. The warranty does not cover any trailers used for rental, competition, or commercial use.

Burley neither assumes nor authorizes any person to assume any other liability in connection with Burley Trailers, and there are no oral agreements or warranties collateral to or affecting this agreement. This warranty gives you specific legal rights and you may also have other rights which vary from state to state.



Burley Design Cooperative
4080 Stewart Road
Eugene, OR 97402
(503) 687-1644

Copyright © 1990 by Burley Design Cooperative