



# Burley-Roo™

## OWNER'S INSTRUCTION & SAFETY MANUAL

### Contents

Section	Page
Introduction	2
I. Hardware Bag Contents and Tool List	3
II. Installing the Wheel Reflectors	4
III. Installing the Front Reflectors	4
IV. How the Quick-Release Wheels Work	5
V. Installing the Tongue	6
VI. The Roll Bar, Canopy, and Cover	8
VII. Using the Seat Harness	10
VIII. The Safety Flag	11
IX. Hitching the Burley-Roo to Your Bicycle	12
X. Trailer Maintenance and Care	14
XI. Safety Guidelines	15
XII. Safety Checklist	21
XIII. Parts List and Drawing	22
Warranty	24

# Congratulations!

You've just purchased a Burley™ trailer, the leading choice of discriminating bicycle trailer owners worldwide. Every effort has been made to ensure your purchase is of top quality and proven design, ready to provide you with many years and thousands of miles of happy, safe trailering.

Because some of the features and guidelines for using the Burley-Roo merit close attention, it is very important that you familiarize yourself with the trailer by reading this manual all the way through before use. If you have any questions, we encourage you to contact your Burley dealer.

---

---

## Introduction

Your Burley-Roo is shipped 95% factory-assembled. Your Burley dealer needs only to mount the reflectors, attach the quick-release wheels and roll bar, install the tongue, raise the canopy, and snap the cover into place. Once you've read the safety guidelines, you're ready to go. Initial assembly should take 5-10 minutes. Subsequent folding and unfolding can easily be done in less than a minute, with no tools required.

This manual is written sequentially to assist initial assembly. In addition to mounting the reflectors, installing the tongue, and attaching the wheels and roll bar, your Burley dealer will perform safety checks on your Burley-Roo, and demonstrate wheel attachment, folding, and use of the seat harness, safety flag, cover, and hitch. We again request that you read this manual from start to finish before use, and then refer to it as necessary in the future.

**NOTE:** Any reference to left or right is made in the direction of travel, as if you were sitting in the child seat looking forward.

## When Loaning or Selling Your Trailer

If you loan or sell your Burley-Roo, supply the new user with this manual. They must familiarize themselves with all sections—especially sections “XI. Safety Guidelines” and “XII. Safety Checklists” prior to use. It is essential that they understand the differences between riding a bicycling with a trailer and without one. It is also essential that they understand correct wheel attachment, folding, and use of the harness, safety flag, cover, and hitch. Always ensure that both adult and child are wearing helmets.

---

---

# I. Hardware Bag Contents and Tool List

**BURLEY DEALER:** Please verify that you have received all of the contents listed. Do not proceed with assembly if any parts are missing; contact Burley immediately for replacement parts.

Tongue mounting hardware:

- (2) 1/4" x 2 1/4" hex bolt
- (4) 1/4" lock nut

Front reflectors:

- (2) Front reflector, clear  
(2 3/4" X 2 3/8")
- (2) self-tapping, slotted screw, reflector

:

Wheel reflectors:

- (2) Wheel reflector assembly,  
clear (2 1/8" X 1 1/2") with bracket
- (4) 10-24 x 1/2" Phillips head screw
- (4) 10-24 nut

Envelope:

- Burley Checklist
- Warranty Card
- Burley-Roo Owner's Instruction & Safety Manual*

## **Tools required**

- Phillips Screwdriver
- 7/16 Socket and Torque Wrench
- Flat Blade Screwdriver
- 7/16 open-end wrench or adjustable wrench

---

---

## II. Installing the Wheel Reflectors

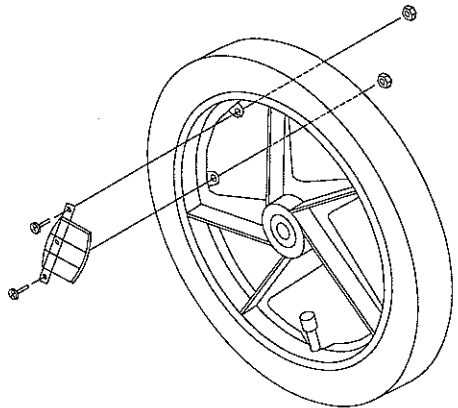
In the hardware bag, you'll find the parts needed to install your wheel reflectors:

- (2) Wheel reflector assembly, clear
- (4) 10-24 x 1/2" Phillips screw
- (4) 10-24 nut

Set the remaining parts aside for installation of the tongue and front reflectors.

The reflector comes pre-mounted on the bracket. Mount the bracket onto the wheel using the Phillips head screws and nuts as shown (see illustration below).

Until the reflectors are installed, there is no inside or outside of the wheels. For a symmetrical appearance, we recommend mounting the second reflector on the opposite side of the second wheel, so that when mounted on the trailer both wheels' spokes are oriented the same way. Note that both reflectors must point outward.



At this point, verify that the tires are inflated to 30-35 P.S.I.

---

---

## III. Installing the Front Reflectors

The remaining parts in the hardware bag are used to mount your front reflectors:

- (2) Front reflector, clear (2 3/4" X 2 3/8")
- (2) Self-tapping slotted screw

Using a self-tapping screw, mount a reflector facing forward to each bracket. (Note the designation "Top" on the back of the reflector.) The brackets are attached to the main frame in front of the axle on each side of the trailer.

---

---

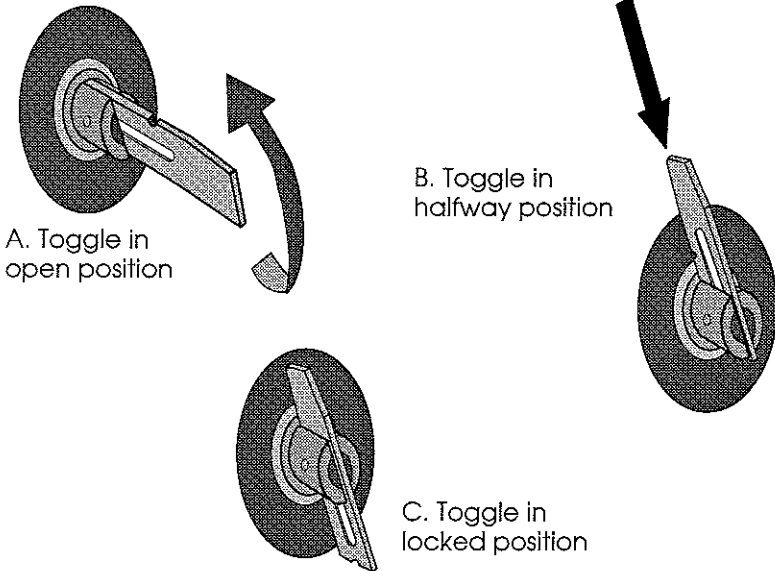
## IV. How the Quick-Release Wheels Work

**NOTE:** We recommend that you apply a light coat of multipurpose grease to the axle when first attaching the wheel.

The quick-release wheels of your Burley-Roo feature an innovative toggle mechanism. Attaching or removing the wheels from your trailer is done in just a few simple steps:

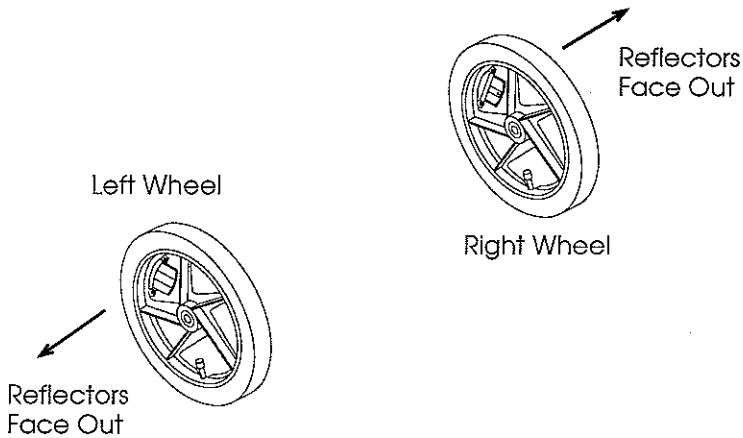
### Attaching the Wheels

With the toggle from the trailer axle directed outward (horizontal position), slide the wheel onto the axle end. The wheel reflectors must be facing outward. To lock the wheel: (A) Pull the toggle end upward to a vertical position against the wheel. (B) While keeping the toggle vertical, push the top of the toggle downward through the slot to the locked, midway position. (C) The wheel must be secured with the toggle in the locked position before use. If you do not clearly understand these instructions, see your Burley dealer.



## **⚠ WARNING**

Make sure wheels are locked securely—you should not be able to rock or shift wheels. Wheels not locked can fall off, causing accident and serious injury.



## **⚠ WARNING**

With wheels mounted, both reflectors *must* face outward. Failure to follow this instruction can reduce trailer visibility at night and cause accident and serious injury.

### **Removing the Wheels**

With the toggle in the vertical locked midway position, push the bottom of the toggle upward through the slot until its bottom edge is even with the axle edge. Pull the toggle out and downward from the top to a horizontal position. Slide the wheel off of the axle.

---

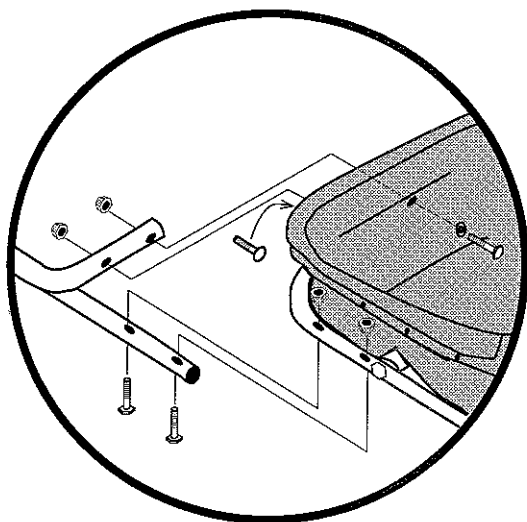
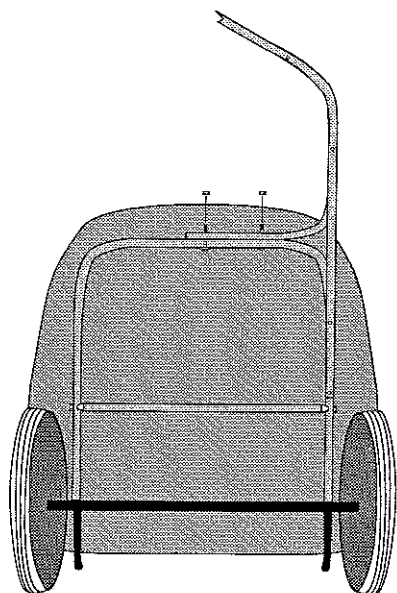
---

## **V. Installing the Tongue**

Having installed the wheel reflectors, find the following parts in the hardware bag used for installing the tongue:

- (2) 1/4" x 2 1/4" hex bolt
- (4) 1/4" lock nut

With the wheels attached, set the trailer upright, resting its back side on the ground. Slide the tongue brace over the two bolts protruding from the front of the frame, and install (2) lock nuts finger tight. Insert the (2) 2 1/4" hex bolts upward through the holes in the tongue and then through the holes in the left main frame. Install two lock nuts at the top, and torque all four lock nuts to 6 ft.-lb. See illustrations on next page.

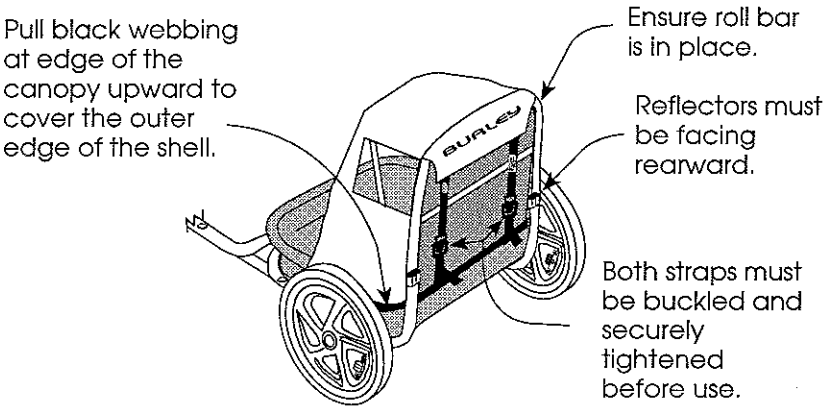


---

---

## VI. The Roll Bar, Canopy, and Cover

Your Burley-Roo is designed with a lightweight aluminum frame, complete roll cage, and bright colored nylon software. Setting it up or folding it down is accomplished in a few easy steps (see illustration below).



### Installing the Roll Bar

Insert the ends of the removable roll bar all the way into the frame openings at the back of the trailer. Be sure the reflectors face to the rear.

### Raising the Canopy

When attaching the canopy to the buckles at the trailer back, first be sure the black webbing at the lower edge of the canopy is pulled upward as far as possible, covering the top outer edge of the shell. This will ensure a taut canopy fit. Grasp the two black straps on the canopy back and lift the fabric flap (with the "Burley" logo on it) up and over the roll bar. Attach the two straps to the lower buckles and tighten securely.

**IMPORTANT:** Before use, check that the fabric canopy is securely buckled at the rear of the trailer and tightened for a snug fit. Tightly buckled straps are an essential part of your trailer's structure.



## **WARNING**

Rear reflectors *must* face rearward. Failure to follow this instruction can reduce trailer visibility at night and cause accident and serious injury.

### **Attaching the Cover**

The Sunscreen Cover (or optional 2-in-1 Cover) is attached at four snap positions on the outer canopy of the trailer. For ease of use, leave the top snaps on and open the trailer via the cover's two bottom snaps. When not in use, the rain cover portion of the 2-in-1 Cover can be rolled up and out of the way, where it is snapped in place by the two straps at the canopy top. Always use your cover to keep debris out of (and toys inside) the trailer when it's in tow.

### **Folding the Trailer**

Folding your Burley-Roo is as easy as setting it up. Simply unbuckle the canopy straps, pull out the roll bar, and remove the wheels. Your trailer is ready for transport or storage.

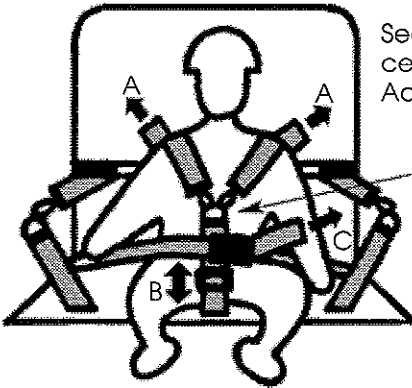
## VII. Using the Seat Harness

**IMPORTANT:** The trailer seat is intended only for children old enough to wear a helmet and sit upright by themselves. Your child must have enough neck strength to hold his or her head up while trailering.

### **⚠ WARNING**

Junction of chest belt and crotch strap must be positioned at child's sternum to work correctly. Belts or buckles near your child's neck can cause discomfort or serious injury. Check child periodically to make sure that he or she has not slipped from correct seated position.

Hook each crotch strap to its two chest belts and tighten (A). Adjust the crotch strap (B) so the chest-belt snap hooks are at the child's sternum. Be sure to connect and tighten the lap belt (C) after connecting the chest and crotch straps.

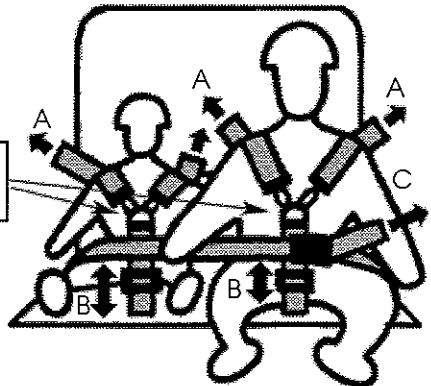


Seat a single child in center and use center chest belts and crotch strap. Adjust and tighten at arrows (A).

Crotch strap and snap hooks must meet at child's sternum.

Crotch strap and snap hooks must meet at child's sternum.

For two children, use outer chest belts and crotch straps. Adjust and tighten at arrows (A).



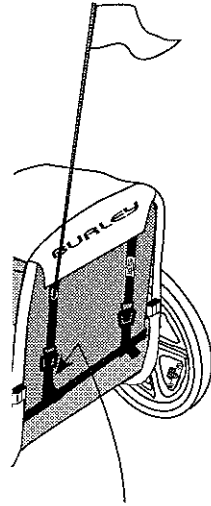
## **⚠ WARNING**

It is essential that both cyclist and child wear helmets when trailer is in use. In event of accident, helmets can prevent or significantly reduce injury.

### **VIII. The Safety Flag**

#### **Installing the Flag**

Before installing the flag, slacken the left canopy strap at the rear of the trailer by loosening the buckle slightly. Insert the safety flag pole into the metal grommet at the top of the strap, sliding the pole end *halfway* into the pocket at the bottom end of the strap. Retighten the strap. The flag will be pulled downward into the pocket when the strap is tightened.



Tuck flag halfway into pocket—it will be pulled downward when strap is tightened.

You're done with assembly! Please go back over these directions and recheck your work.

**IMPORTANT:** Be sure to read the following sections: "IX. Hitching the Burley-Roo to Your Bicycle," "XI. Safety Guidelines," and "XII. Safety Checklists" before using your Burley-Roo.

---

---

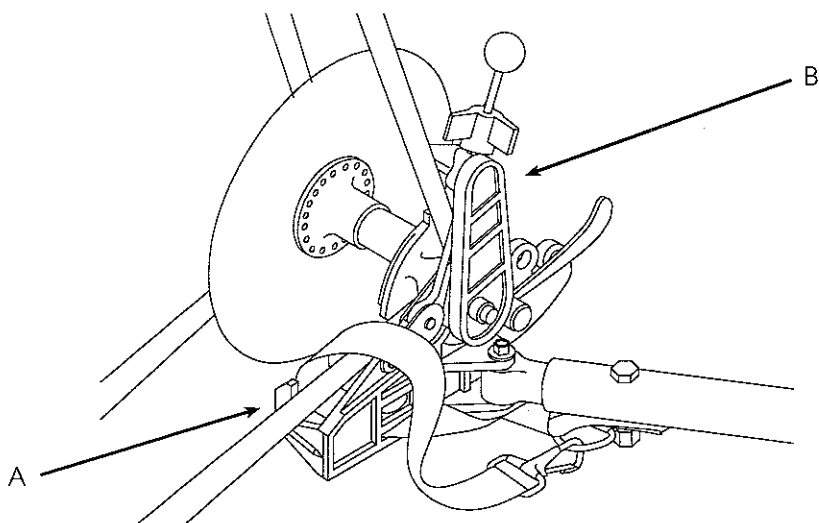
## IX. Hitching the Burley-Roo to Your Bicycle

The trailer hitch was designed to quickly and safely attach to virtually all types of bicycles. It is inserted in front of the left rear dropout of your bicycle.

### Hitching the Trailer to Your Bicycle

Loosen the knob on the eyebolt until the two arms are spread fully apart. Slip the lower hitch arm under the chain stay (A) and the upper arm above the seat stay (B). Wedge the hitch cone all the way back into the angle formed by the stays at the wheel. Tighten the knob until the arms are firmly clamped against the stays. Wrap the safety strap around the inside of the chain stay, over the hitch body, and back to the D-ring at the end of the tongue.

Make sure that the cone is wedged securely into the stays. Do not overtighten the knob. The hitch should not move, but should allow the bicycle complete movement, including lying it down on the ground. It should clear any racks, bags, or fittings you have on your bicycle. If there is any interference, contact your Burley dealer.



**IMPORTANT:** Remove trailer from your bicycle when it's not in use to prevent deforming the plastic hitch.